



KIIRTMAN

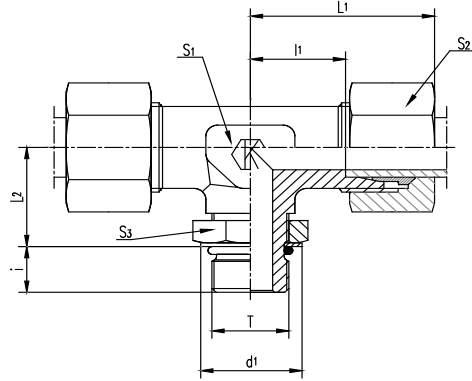
TEE-OR/M Adjustable locknut branch tee 24° cone end/adjustable metric thread

OKST-M ORTA BACAĞI KONTRALI T

Sipariş kodu

Order code

OKST....(169...)



Series	Tube ØD1	T	L1	I1	L2	i	d1	S1	S2	S3	O-RİNG	ITEM CODE	ITEM NAME	PN (bar)
	Boru Çapı											PARÇA KODU	PARÇA ADI	
L NB	6	M10x1	27	12	20	7	15	12	14	14	OR 8.1x1.6	169220610	OKST6NBM10	315
	8	M12x1.5	29	14	22	10	18	12	17	17	OR 9.3x2.2	169220812	OKST8NBM12	315
	10	M14x1.5	30	15	25	10	20	14	19	19	OR 11.3x2.2	169221014	OKST10NBM14	315
	12	M16x1.5	32	17	26	10	23	17	22	22	OR 13.3x2.2	169221216	OKST12NBM16	315
	15	M18x1.5	36	21	30	11	25	19	27	24	OR 15.3x2.2	169221518	OKST15NBM18	315
	18	M22x1.5	40	23.5	33	12	28	24	32	27	OR 19.3x2.2	169221822	OKST18NBM22	250
	22	M26x1.5	44	27.5	35	14	33	27	36	32	OR 23.6x2.9	169222226	OKST22NBM26	160
	28	M33x2	47	30.5	38	14	41	36	41	41	OR 29.6x2.9	169222833	OKST28NBM33	160
	35	M42x2	56	34.5	48	14	51	41	50	50	OR 38.6x2.9	169223542	OKST35NBM42	160
42	M48x2	63	40	49	16	56	50	60	55	OR 44.6x2.9	169224248	OKST42NBM48	160	
S YB	6	M12x1.5	31	16	22	10	18	12	17	17	OR 9.3x2.2	169320612	OKST6YBM12	315
	8	M14x1.5	32	17	26	10	20	14	19	19	OR 11.3x2.2	169320814	OKST8YBM14	315
	10	M16x1.5	34	17.5	27	11	23	17	22	22	OR 13.3x2.2	169321016	OKST10YBM16	315
	12	M18x1.5	38	21.5	31	12	25	19	24	24	OR 15.3x2.2	169321218	OKST12YBM18	315
	14	M20x1.5	40	22	35	14	28	19	27	27	OR 19.3x2.2	169321420	OKST14YBM20	250
	16	M22x1.5	43	24.5	35	14	28	24	30	27	OR 19.3x2.2	169321622	OKST16YBM22	250
	20	M27x2	48	26.5	39	16	33	27	36	32	OR 23.6x2.9	169322027	OKST20YBM27	250
	25	M33x2	54	30	44	16	41	36	46	41	OR 29.6x2.9	169322533	OKST25YBM33	200
	30	M42x2	62	35.5	51	17	51	41	50	50	OR 38.6x2.9	169323042	OKST30YBM42	200
38	M48x2	72	41	54	19	56	50	60	55	OR 44.6x2.9	169323848	OKST38YBM48	160	

L= light series NB= Normal basınç

S= heavy series YB= Yüksek basınç

$\frac{PN \text{ (bar)}}{10} = PN \text{ (MPa)}$

Çinko kaplama / Zinc plated=Cr(VI)-free