



KURTMAN

LE-R (KEG) Male stud run tee

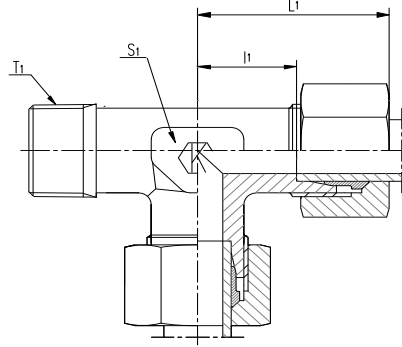
24° cone end / Male short BSP taper thread (DIN 3852-2 type C)

YTE-R YAN BACAĞI BSPT "T"

Sipariş kodu

Order code

YTE....(171...)



Series	Tube ØD1	T1 (BSPT)	L1	I1	S1	ITEM CODE	ITEM NAME	PN (bar)
	Boru Çapı					PARÇA KODU	PARÇA ADI	
L NB	6	G 1/8	27	12	12	171250602	YTE6NBR02	315
	8	G 1/4	29	14	12	171250804	YTE8NBR04	315
	10	G 1/4	30	15	14	171251004	YTE10NBR04	315
	12	G 3/8	32	17	17	171251206	YTE12NBR06	315
	15	G 1/2	40	25	24	171251508	YTE15NBR08	315
	18	G 1/2	40	23.5	24	171251808	YTE18NBR08	315
	22	G 3/4	44	27.5	27	171232212	YTE22NBR12	160
	28	G 1	47	30.5	36	171232816	YTE28NBR16	160
	35	G 1 1/4	56	34.5	41	171233520	YTE35NBR20	160
42	G 1 1/2	63	40	50	171234224	YTE42NBR24	160	
S YB	6	G 1/4	31	16	12	171350604	YTE6YBR04	630
	8	G 1/4	32	17	14	171350804	YTE8YBR04	630
	10	G 3/8	34	17.5	17	171351006	YTE10YBR06	630
	12	G 3/8	38	21.5	17	171351206	YTE12YBR06	630
	14	G 1/2	40	22	24	171351408	YTE14YBR08	630
	16	G 1/2	43	24.5	24	171351608	YTE16YBR08	400
	20	G 3/4	48	26.5	27	171352012	YTE20YBR12	400
	25	G 1	54	30	36	171352516	YTE25YBR16	400
	30	G 1 1/4	62	35.5	41	171353020	YTE30YBR20	400
	38	G 1 1/2	72	41	50	171353824	YTE38YBR24	315

L= light series      NB= Normal basınç

S= heavy series      YB= Yüksek basınç

PN (bar) = PN (MPa)

10

Çinko kaplama / Zinc plated=Cr(VI)-free