



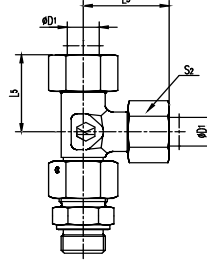
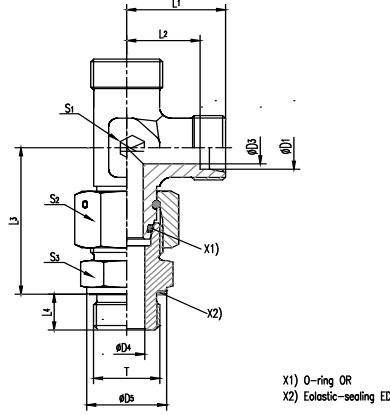
KURTMAN

EL-R-ED Assembled adjustable swivel run tee
24° cone end / Male BSP thread-ED-seal (ISO 1179)

YRTP-R-PİMLİ REKORLU T

Gövde sipariş kodu
Order code without nut and cutting ring
XYRTP....(X517...)

Komple sipariş kodu
Order code with nut and cutting ring
YRTP....(517...)



X1) O-ring OR
X2) Eolastic-sealing ED

Series	Tube ØD1 Boru Çapı	T	D3	D4	D5	L1	L2	L3	L4	L5	S1	S2	S3	Weight g/1 piece	ITEM CODE	ITEM NAME	PN (bar)
															PARÇA KODU	PARÇA ADI	
L NB	6	G 1/8A	4.0	4.0	14	19	12.0	34.5	8	27	12	14	14	55	517200602	YRTP6NBR02	315
	8	G 1/4A	6.0	6.0	19	21	14.0	37.5	12	29	12	17	19	80	517200804	YRTP8NBR04	315
	10	G 1/4A	8.0	6.0	19	22	15.0	40.0	12	30	14	19	19	98	517201004	YRTP10NBR04	315
	12	G 3/8A	10.0	9.0	22	24	17.0	42.0	12	32	17	22	22	137	517201206	YRTP12NBR06	315
	15	G 1/2A	12.0	11.0	27	28	21.0	46.5	14	36	19	27	27	222	517201508	YRTP15NBR08	315
	18	G 1/2A	15.0	14.0	27	31	23.5	50.0	14	40	24	32	27	304	517201808	YRTP18NBR08	315
	22	G 3/4A	19.0	18.0	32	35	27.5	55.0	16	44	27	36	32	404	517202212	YRTP22NBR12	160
	28	G 1A	24.0	23.0	40	38	30.5	59.0	18	47	36	41	41	606	517202816	YRTP28NBR16	160
	35	G 1 1/4A	30.0	30.0	50	45	34.5	68.5	20	56	41	50	50	938	517203520	YRTP35NBR20	160
	42	G 1 1/2A	36.0	36.0	55	51	40.0	75.0	22	63	50	60	55	1485	517204224	YRTP42NBR24	160
S YB	6	G 1/4A	4.0	4.0	19	23	16.0	40.0	12	31	12	17	19	97	517300604	YRTP06YBR04	630
	8	G 1/4A	5.0	5.0	19	24	17.0	42.5	12	32	14	19	19	125	517300804	YRTP08YBR04	630
	10	G 3/8A	7.0	7.0	22	25	17.5	45.0	12	34	17	22	22	171	517301006	YRTP10YBR06	630
	12	G 3/8A	8.0	8.0	22	29	21.5	48.0	12	38	17	24	22	198	517301206	YRTP12YBR06	630
	14	G 1/2A	10.0	10.0	27	30	22.0	54.0	14	40	19	27	27	269	517301408	YRTP14YBR08	630
	16	G 1/2A	12.0	12.0	27	33	24.5	55.0	14	43	24	30	27	350	517301608	YRTP16YBR08	400
	20	G 3/4A	16.0	16.0	32	37	26.5	65.0	16	48	27	36	32	524	517302012	YRTP20YBR12	400
	25	G 1A	20.0	20.0	40	42	30.0	73.0	18	54	36	46	41	921	517302516	YRTP25YBR16	400
	30	G 1 1/4A	25.0	25.0	50	49	35.5	78.5	20	62	41	50	50	1324	517303020	YRTP30YBR20	400
	38	G 1 1/2A	32.0	32.0	55	57	41.0	89.0	22	72	50	60	60	2033	517303824	YRTP38YBR24	315

L= light series NB= Normal basınç
S= heavy series YB= Yüksek basınç

$\frac{PN \text{ (bar)}}{10} = PN \text{ (MPa)}$

Çinko Kaplama / Zinc plated=Cr(VI)-free